



RS BOILER

Industrial Steam Boiler Manufacturer



www.rsboilerbd.com

About R.S. Enterprise

Since its establishment in 1996, R.S. Enterprise has walked a single path as a professional company of industrial boilers and endeavored to develop new technology and produce new products through consistent technological innovation.

R.S. Enterprise began with boiler installation-fittings, service-repair, manufacturing, import and supplier trading. The factory area of R.S. Enterprise is 60,000 square feet. RS Boiler has a skilled technical team and modern machinery equipment.

RS Boiler, Bangladesh Boiler Inspection Authority Certified Company. We maintain boiler manufacturing code & standard BBR/BS/ASME. Our manufacturing capacity ranges from 60 kg/hr. to 6,000 kg/hr. Our primary products include gas-fired, oil-fired, and combined gas-and-oil-fired boiler, waste, jute, solid fuel, exhaust gas fired and electric boilers.

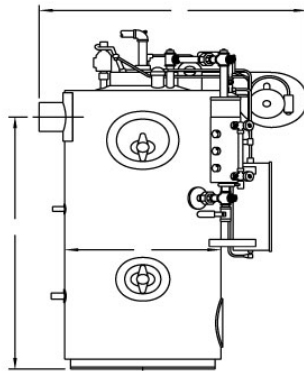
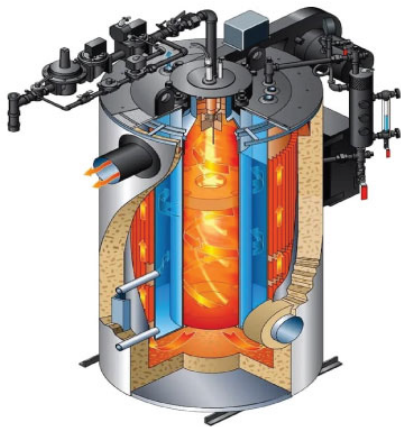
RS Boiler is well received by users, because of its features energy saving, environmental protection, helping users save money and high quality after services. We have professional boiler engineers to customize the boiler system for you so that you and your enterprise can produce higher quality products at a lower cost! Make your enterprise more competitive!

VERTICAL TUBELESS GAS / OIL FIRED STEAM BOILER

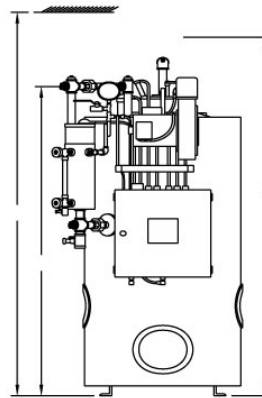


Capacity : 100kg/hr. to 1000 kg/hr.
Type : Vertical Tubeless.

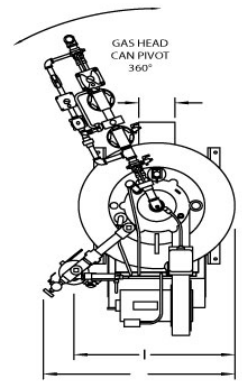
- Bangladesh Govt. Inspected Authority Certified.
- 100% Imported Boiler Grade Steel Plate (ASTM-SA-516, GR-70).
- X-ray & Ultrasonic Inspection is Performed.
- Multitask Safety System.
- Easy to Installation and Maintenance.
- Fully Automatic Electric Control Cabinet.
- Environment Friendly (Low NOx emission).
- Energy Saving Facilities.
- Low Operating Cost & High Thermal Efficiency (up to 90%).
- Space Saving Design.
- Hi-Density & Castable Refractory Insulation.



Side View



Front View



Top View

Model No.	Maker's No.	Capacity (kg/hr.)	Working Pressure (kg/cm ²)	Fuel Consumption		Power Connection (kw)	Natural Gas Inlet Size (Inch)	Boiler Dimension (mm)		
				N-Gas (ft ³ /hr.)	Light Oil (liter/hr.)			Length	Width	Height
TC/VT/100	RSB/VT/100	100	7	250	5.7	1.5	1	1345	916	2017
TC/VT/150	RSB/VT/150	150	7	375	8.6	2	1	1430	976	2165
TC/VT/200	RSB/VT/200	200	7	500	11.4	2	1	1477	1017	2332
TC/VT/250	RSB/VT/250	250	7	625	14.25	2.2	1	1520	1020	2350
TC/VT/300	RSB/VT/300	300	7	750	17.1	2.5	1.25	1586	1002	2400
TC/VT/350	RSB/VT/350	350	7	875	20	2.5	1.25	1593	1150	2480
TC/VT/500	RSB/VT/500	500	7	1250	28.5	2.5	1.5	1730	1264	2590
TC/VT/600	RSB/VT/600	600	7	1500	34.2	2.5	1.5	1730	1264	2590
TC/VT/700	RSB/VT/700	700	7	1750	40	3.5	1.5	1750	1420	2630
TC/VT/1000	RSB/VT/1000	1000	7	2500	57	4	1.5	1778	1524	2690

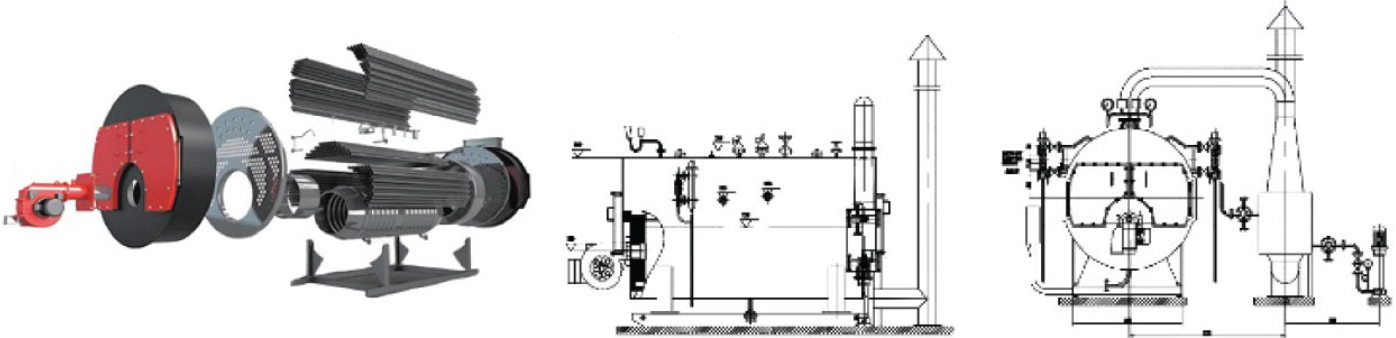


THREE PASS HORIZONTAL GAS / OIL FIRED STEAM BOILER



- Bangladesh Govt. Inspected Authority Certified.
- Three Pass Smoke Tube Design.
- 100% Imported Boiler Grade Steel Plate (ASTM-SA-516, GR-70).
- X-ray & Ultrasonic Inspection is Performed.
- Multitask Safety System.
- Easy to Installation and Maintenance.
- Fully Automatic Electric Control Cabinet.
- Environment Friendly (Low NOx emission).
- Energy Saving Facilities.
- Low Operating Cost & High Thermal Efficiency (up to 90%).
- High Quality Steam.

Capacity : 300 kg/hr. to 6000 kg/hr.
Type : Horizontal Fire Tube.



Model No.	Maker's No.	Capacity (kg/hr.)	Working Pressure (kg/cm ²)	Fuel Consumption		Power Connection (kw)	Natural Gas Inlet Size (Inch)	Boiler Dimension (mm)		
				N-Gas (ft ³ /hr.)	Light Oil (liter/hr.)			Length	Width	Height
TC/HF/300	RSB/HF/300	300	7/10.5	750	13.5	2.2	1	2490	1119	1676
TC/HF/500	RSB/HF/500	500	7/10.5	1250	22.5	3.2	1	2590	1219	1676
TC/HF/1000	RSB/HF/1000	1000	10.5	2500	45	4	1.5	3352	1520	1930
TC/HF/1500	RSB/HF/1500	1500	10.5	3750	67.5	5.7	1.5	4300	1620	2082
TC/HF/2000	RSB/HF/2000	2000	10.5	5000	90	8.8	1.5	4700	1750	2186
TC/HF/3000	RSB/HF/3000	3000	10.5	7500	135	9.6	2	5000	1780	2186
TC/HF/4000	RSB/HF/4000	4000	10.5	10000	180	10.4	2.5	5000	2000	2400
TC/HF/5000	RSB/HF/5000	5000	10.5	12500	225	14	3	5500	2330	2580
TC/HF/6000	RSB/HF/6000	6000	10.5	15000	270	20	3	5600	2510	2780

VERTICAL WASTAGE (JUTE) FIRED STEAM BOILER



Capacity : 500 kg/hr. to 1000 kg/hr.
Type : Vertical Internal Furnace.

- Bangladesh Govt. Inspected Authority Certified.
- Fuel: Waste Fabric, Wood.
- Smoke Free.
- 100% Imported Boiler Grade Steel Plate (ASTM-SA-516, GR-70).
- X-ray & Ultrasonic Inspection is Performed.
- Multitask Safety System.
- Easy to Installation and Maintenance.
- Fully Automatic Electric Control Cabinet.
- Environment Friendly (Low NOx emission).
- Energy Saving Facilities.
- Low Operating Cost & High Thermal Efficiency (up to 84%)
- Space Saving Design.

Model No.	Maker's No.	Capacity (kg/hr.)	Working Pressure (kg/cm ²)	Power Connection(kw)	Boiler Dimension(mm)		
					Length	Width	Height
TC/SFF/VIC/500	RSB/SFF/VIC/500	500	7	3.5	1702	1702	3000
TC/SFF/VIC/750	RSB/SFF/VIC/750	750	7	4.5	1918	1800	3152
TC/SFF/VIC/1000	RSB/SFF/VIC/1000	1000	10.5	5.5	2068	2068	3500



HORIZONTAL WASTAGE (JUTE) FIRED STEAM BOILER



Capacity : 1000 kg/hr. to 5000 kg/hr.
Type : Horizontal External Furnace.

- Bangladesh Govt. Inspected Authority Certified.
- Fuel: Waste Fabric, Wood.
- Smoke Free.
- 100% Imported Boiler Grade Steel Plate (ASTM-SA-516, GR-70).
- X-ray & Ultrasonic Inspection is Performed.
- Multitask Safety System.
- Easy to Installation and Maintenance.
- Fully Automatic Electric Control Cabinet.
- Environment Friendly (Low NOx emission).
- Energy Saving Facilities.
- Low Operating Cost & High Thermal Efficiency (up to 84%)

Model No.	Maker's No.	Capacity (kg/hr.)	Working Pressure (kg/cm ²)	Power Connection(kw)	Boiler Dimension(mm)		
					Length	Width	Height
TC/SFF/HF/1000	RSB/SFF/HF/1000	1000	10.5	10	3200	2320	2200
TC/SFF/HF/1500	RSB/SFF/HF/1500	1500	10.5	15	4220	1800	2480
TC/SFF/HF/2000	RSB/SFF/HF/2000	2000	10.5	20	4230	2300	2500
TC/SFF/HF/3000	RSB/SFF/HF/3000	3000	10.5	25	4860	3608	3950
TC/SFF/HF/4000	RSB/SFF/HF/4000	4000	10.5	30	4900	3600	4000
TC/SFF/HF/5000	RSB/SFF/HF/5000	5000	10.5	35	5420	3880	4200



HORIZONTAL HUSK FIRED STEAM BOILER



Capacity : 2000 kg/hr. to 6000 kg/hr.
Type : Horizontal Fired Tube

- Bangladesh Govt. Inspected Authority Certified.
- Fuel: Rice Husk.
- 100% Imported Boiler Grade Steel Plate (ASTM-SA-516, GR-70).
- X-ray & Ultrasonic Inspection is Performed.
- Multitask Safety System.
- Easy to Installation and Maintenance.
- Fully Automatic Electric Control Cabinet.
- Environment Friendly (Low NOx emission).
- Energy Saving Facilities.
- Low Operating Cost & High Thermal Efficiency (up to 78%)

Model No.	Maker's No.	Capacity (kg/hr.)	Working Pressure (kg/cm ²)	Fuel (Kg/hr.)	Power Connection (H.P)	Boiler Dimension(mm)		
						Length	Width	Height
TC/HHFT/2000	RSB/HHFT/2000	2000	10.5	480	15	4500	2050	2900
TC/HHFT/3000	RSB/HHFT/3000	3000	10.5	690	20	4800	2200	3000
TC/HHFT/4000	RSB/HHFT/4000	4000	10.5	960	25	5200	2500	3400
TC/HHFT/5000	RSB/HHFT/5000	5000	10.5	1200	30	5400	2700	3600
TC/HHFT/6000	RSB/HHFT/6000	6000	10.5	1500	35	5600	3000	3900



OIL/GAS FIRED THERMAL OIL BOILER



Capacity : 350 kw to 2800 kw
Type : Horizontal Thermal Boiler.

- Bangladesh Govt. Inspected Authority Certified.
- 100% Imported Boiler Grade Steel Tube (ASTM-SA-106, GR-A)
- X-ray & Ultrasonic Inspection is Performed.
- Multitask Safety System.
- Easy to Installation and Maintenance.
- Fully Automatic Electric Control Cabinet.
- Environment Friendly (Low NOx emission).
- Energy Saving Facilities.
- Low Operating Cost & High Thermal Efficiency (up to 95%).

Model No.	Maker's No.	Capacity (kw)	Fuel Consumption		Max working Temp. (°C)
			N-Gas (ft ³ /hr.)	Diesel (Ltr/hr.)	
TC/HTO/350	RSB/HTO/350	350	1349	31.5	320
TC/HTO/500	RSB/HTO/500	500	1928	45	320
TC/HTO/700	RSB/HTO/700	700	2699	63	320
TC/HTO/1050	RSB/HTO/1050	1050	4048	94	320
TC/HTO/1400	RSB/HTO/1400	1400	5397	126	320
TC/HTO/2100	RSB/HTO/2100	2100	8096	189	320
TC/HTO/2800	RSB/HTO/2800	2800	10794	252	320

HORIZONTAL EXHAUST GAS FIRED STEAM BOILER



Capacity : 1000 kg/hr. to 3000 kg/hr.
Type : Horizontal Exhaust Gas Fired Steam Boiler.

- Bangladesh Govt. Inspected Authority Certified.
- Multitask Safety System.
- Easy to Installation and Maintenance.
- X-ray & Ultrasonic Inspection is Performed.
- Fully Automatic Electric Control Cabinet.
- 100% Imported Boiler Grade Steel Plate (ASTM-SA-516, GR-70)
- Smoke Free.
- Energy Saving Facilities.
- Low Operating Cost & High Thermal Efficiency (up to 84%).
- Waste Heat Recovery System.

Model No.	Maker's No.	Capacity (kg/hr.)	Working Pressure (kg/cm ²)	Power Connection (kw)
TC/EGB/1000	RSB/EGB/1000	1000	10.5	3.5
TC/EGB/1500	RSB/EGB/1500	1500	10.5	4
TC/EGB/2000	RSB/EGB/2000	2000	10.5	4.5
TC/EGB/2500	RSB/EGB/2500	2500	10.5	5
TC/EGB/3000	RSB/EGB/3000	3000	10.5	5.5



RS ELECTRIC STEAM BOILER



Capacity : 40 kg/hr. to 200 kg/hr.
Type : Vertical (Electric Coil).

- Bangladesh Govt. Inspected Authority Certified.
- Eco Friendly & High Thermal Efficiency.
- Low Water Auto Shutdown.
- Power Saving Stainless Steel Electric Heater.
- Multitask Safety System.
- Easy to Installation and Maintenance.
- X-ray & Ultrasonic Inspection is Performed.
- Fully Automatic Electric Control Cabinet.
- 100% Imported Boiler Grade Steel Plate (ASTM-SA-516, GR-70)
- Energy Saving Facilities.
- Dry Steam.

Model No.	Maker's No.	Capacity (kg/hr.)	Working Pressure (psi)
TC/EB/40	RSB/EB/40	40	75
TC/EB/60	RSB/EB/60	60	100
TC/EB/80	RSB/EB/80	80	100
TC/EB/100	RSB/EB/100	100	100
TC/EB/120	RSB/EB/120	120	100
TC/EB/150	RSB/EB/150	150	100
TC/EB/200	RSB/EB/200	200	100

GARMENTS LAUNDRY MACHINERY

RS FULL AUTOMATIC STEAM VACUUM IRON TABLE



Model	RS -W880-A	RS - W880-B
Length	1250mm	1500mm
Width	800mm	900mm
Height	800mm	900mm
Heating Power	5 kw	5 kw
Table Heating Temperature	80-100°C	80-100°C
Max. Speed	2800 rpm	2800 rpm
Motor Power	800 watts	800 watts
Voltage	AC 220V/380V	AC 220V/380V

RS VACUUM IRON TABLE



Model	RS-SH-1200-A	RS-SH-1590-A
Length	1250mm	1500mm
Width	800mm	900mm
Height	800mm	850mm
Max. Speed	2800 rpm	2800 rpm
Motor Power	800 watts	800 watts
Rating Voltage	220V/50hz	220V/50hz

RS VACUUM IRON TABLE



Model	RS-SH-1200-B	RS-SH-1590-B
Length	1250 mm	1500mm
Width	800 mm	900mm
Height	800 mm	850mm
Max. Speed	2800 rpm	2800 rpm
Motor Power	800 watts	800 watts
Rating Voltage	220V/50hz	220V/50hz

GARMENTS LAUNDRY MACHINERY

RS THREAD SUCKING MACHINE



Model	RS-HS-1080	RS-HS-1081
Suction Part Size (mm)	530×130	580×190
Motor Power (kw)	2.2	4
Operating Voltage(v)	380	380
Inhaling Capacity	600 pa	700 pa
Dimension (mm)	1500×520×140	1500×550×160

RS AUTOMATIC WASHER EXTRACOR



Model	Load Capacity (kg)	Drum Speed (Transfer minute/ rpm)	Dimension (Length × width × height) (mm)	Motor power	
				Active Motor (kw)	Exhaust motor (kw)
RS-XQ-50	50	40/800	1500×1250×2000	0.75	5.5
RS-XQ-60	60	40/800	1600×1300×2000	0.8	7.5
RS-XQ-80	80	40/800	1800×1400×2000	0.9	11
RS-XQ-100	100	36/760	1800×1460×2100	1.0	11
RS-XQ-150	150	36/760	1900×1800×2100	1.2	15

RS STEAM CONDENSER



MODEL	LENGTH	WIDTH	HEIGHT	TUBE
RS-HT-120	1050MM	550MM	450MM	12×10pcs
RS-HT-96	950MM	550MM	400MM	12×8pcs
RS-HT-72	950MM	550MM	250MM	12×6pcs
RS-HT-60	800MM	450MM	250MM	10×6pcs
RS-VT-60	1050MM	200MM	500MM	5×12pcs
RS-VT-72	1050MM	250MM	500MM	6×12pcs

GARMENTS LAUNDRY MACHINERY

RS WASHING MACHINE



Model	Maximum Loading (kg)	Dimension LxWxH(mm)	Motor(kw)
RS-XG-25	25	1500x1250x1250	1.5
RS-XG-40	40	1600x1380x1500	1.5
RS-XG-70	70	1830x1650x1650	3
RS-XG-100	100	2030x17200x1750	3
RS-XG-210	210	3250x1820x1950	5.5
RS-XG-260	260	3250x1950x2030	5.5
RS-XG-290	290	3250x2030x2100	7.5
RS-XG-460	460	3900x2250x2500	18

RS HYDRO EXTRACTOR MACHINE



Model	Dimension LxWxH(mm)	Maximum Rotation Speed	Motor Power
RS-GZ-60	1450x1020x750	1100 rpm	3 kw
RS-GZ-90	1900x1465 x920	1100 rpm	5.5 kw
RS- GZ-125	1920x1850x1100	1000 rpm	7.5 kw
RS-GZ-150	2200x1720x1050	780 rpm	11 kw

RS INDUSTRIAL DRYER



Model	Loading Capacity (Kg)	Rated Steam Pressure	Cylinder Rotation Speed	Motor+ Blower Power	Dimension: (LxWxH) (mm)
RS-GY-100	45	0.4-0.8mpa	35rpm	1.1kw+1.1kw	1620x1100x2240
RS-GY-150	68	0.4-0.8mpa	35rpm	1.1kw+1.5kw	1650x1320x2400
RS-GY-200	90	0.4-0.8mpa	30rpm	2.2kw+1.5kw	1880x1560x2560
RS-GY-300	135	0.4-0.8mpa	25rpm	3kw+2.2kw	1880x1860x2820
RS-GY-400	180	0.4-0.8mpa	25rpm	4kw+2.2kw	2240x1860x2780



BOILER MOUNTING & ACCESSORIES



Certificates & Documents

গণপ্রজাতন্ত্রী বাংলাদেশ সরকার
 বাংলাদেশ ইন্টারপ্রাইজ কর্তৃক প্রদত্ত
TRADE LICENSE

License No: 000796
 Issue Date: 26.07.2022

Trade License No: 20172617289000796

Business Name: R.S. ENTERPRISE
 Owner Name: Md. Rafiqul Islam
 ID/ID No: 643369795
 Father Name: Md. Sayidun Saider
 Mother Name: SETARA BEGUM
 Business Address: JORPUL SHAPLA HOUSING, RAJFULBARA, SAVAR, DHAKA-1347

Type of Business: MANUFACTURE,IMPORTS,EXPORTS AND SUPPLIER TRADER.
 Mobile: 6167902244
 Trade License Fee (Annual): 2000.00 In word: two thousand Taka Only
 1% Vat: 300.00 Taka.

You are permitted to continue your business for 2022-2023 after receiving the license fee on behalf of the mentioned company. This license will be valid till 30.06.2023 and will have to renew every year.

Secretary (General)
 Md. Rafiqul Islam
 Chairman, R.S. Enterprise

Chairman, R.S. Enterprise
 Md. Faraz Hossain

Digitally signed by Md. Rafiqul Islam
 DN: cn=Md. Rafiqul Islam, o=R.S. Enterprise, ou=Chairman, email=md.rafiqueul@rsenterprise.com

Digitally signed by Md. Faraz Hossain
 DN: cn=Md. Faraz Hossain, o=R.S. Enterprise, ou=Chairman, email=md.faraz@rsenterprise.com

1) Come up with the old license at renewal time.
 2) For any information please call or email to.

গণপ্রজাতন্ত্রী বাংলাদেশ সরকার
 Government of the People's Republic of Bangladesh
 Office of the Chief Controller of Imports and Exports
Import Registration Certificate (IRC)
 Commercial
 IRC No: 00000000000000000000

This is to certify that Mr. Rafiqul Islam, R.S. ENTERPRISE, Address: Jorpuul, Shapla Housing, Rajful Bara, Savar, Dhaka, is hereby registered as a Commercial Importer of Office of the Chief Controller of Imports and Exports under the condition of Office of the Chief Controller of Imports and Exports, Dhaka as following terms and conditions.

Company's Particulars:
 1. C/T No: 15749200003
 2. Previous IRC No: 046223191
 3. National Bank Name & Branch: Bangladesh Bank Ltd., Mirpur
 4. Import Dtd: Up to 16.06.2023 Taka
 5. First used Date: 22 January, 2022
 6. Valid up to: 30 June, 2023
 7. Last Updated Date: 19 July, 2022

Terms & Conditions:
 1. This Registration Certificate will have to be renewed every financial year.
 2. Prohibited goods cannot be imported and in the case of contraband goods, all the terms and conditions of the import policy order issued to the importer apply.
 3. Without any permission of the Chief Controller of Imports and Exports or any other officer authorized by him, this Registration Certificate cannot be transferred.
 4. If any importer, exporter or holder adds any provision of the Importers, Exporters & Holders (Registration Order, 1982) or of any other law, the registration will be cancelled or suspended.
 5. Any use of fraud, forgery and falsification is punishable under CT Act, 2006 and in such cases the registration may be suspended or cancelled by the authority.
 6. No authority reserves the right to cancel the registration certificate at any time without assigning any reason whatsoever.

A.B. This is a system generated certificate and does not require any manual signature.

Md. Asrar Hossain
 Executive Officer
 Office of the Chief Controller of Imports and Exports, Dhaka
 National Bank, Circular Road, Dhaka
 02011 Sector, Dhaka
 Phone: 81, Dhaka, Dhaka, Dhaka
 1349, Dhaka

গণপ্রজাতন্ত্রী বাংলাদেশ সরকার
 Department of Materials and Metallurgical Engineering
 Bangladesh University of Engineering and Technology

Client: M/S. R.S. Enterprise
 84 December, 2013
 MME/219/2013-16

Client's Reference: 3033/01/02/2013/16
 BRTC Reference: 11/04/01/01/2013-16, Date: 01/12/2013
 Subject: Test of Boiler Material.
 Sample Condition: Not Stated

TEST REPORT

A. Chemical Composition Test Result:

Sample Identification	C	Si	Mn	S	P	Cr	Ni
Boiler Material	0.19	0.28	1.18	0.004	0.015	0.02	0.005

B. Tensile and Hardness Test Result:

Sample Identification	Yield Strength (MPa)	Tensile Strength (MPa)	Elongation (EL, %)	Average Elongation (EL, %)	Average Hardness (HRC)
1	252	524	34.9	34.9	24.5
2	262	507	29.2	32.7	24.2
3	263	524	25.9	25.9	24.8

Please note: The client supplies the sample and the report shall be issued to the client only. The Department of Materials and Metallurgical Engineering of BUET does not accept any responsibility for the misinterpretation of data, if any.

Dr. Ahmed Hossain
 Professor and Head

Page 1 of 1

গণপ্রজাতন্ত্রী বাংলাদেশ সরকার
 Government of the People's Republic of Bangladesh
 National Board of Revenue

Customs, Excise and VAT Commissionerate, Dhaka (West)
 Savar Division

Value Added Tax Registration Certificate

This is to certify that the person whose details are given below is registered under Value Added Tax and Supplementary Duty Act, 2012 (Act No. 47 of 2012)

BIN: 001457376-0403

Name of the Entity: R.S. ENTERPRISE
 Trading Brand Name: N/A
 Old BIN: 17101007693
 e-TIN: 57162809033
 Address: JORPUL SHAPLA HOUSING, RAJFULBARA, SAVAR PS, Dhaka-1347, Bangladesh
 Issue Date: 12/09/2019
 Effective Date: 12/09/2019
 Type of Ownership: Proprietorship
 Major Area of Economic Activity: Import, SUPPLIER TRADER

This is a system generated certificate and does not require any signature.

গণপ্রজাতন্ত্রী বাংলাদেশ সরকার
 Government of the People's Republic of Bangladesh
 National Board of Revenue
 Income Tax Wing

Office of the Deputy Commissioner of Taxes
 Taxes Circle-170, Taxes Zone-8, Dhaka
 8, Tophkhana Road, Shatka Lower, 6th Floor, Segunbagicha, Dhaka-1000.

Income Tax Certificate

Description of an assessee:
 1. Name: Md. Rafiqul Islam
 2. Father's Name/Husband's Name: Md. Sayidun Saider
 3. Present Address: F-3, Metal Bldg, Dhaka And Jorpuul Shapla Housing Rajfulbar, Savar, Dhaka.
 4. Permanent Address: Jorpuul Bari, Hemayetpur, Savar, Dhaka.
 5. Status: Individual
 6. Tax Payer's Identification Number (BIN): TIN: 57162809033/Circle-170
 7. Business Identification Number (BIN): N/A

This is to certify that Md. Rafiqul Islam, Prop. Boiler Eng. & R.S. Enterprise, is an assessee of Taxes Circle-170, Taxes Zone-8, Dhaka. His assessment has been completed for the assessment year 2021-2022 under Section 3(2)(b) of IT Ordinance, 1984 & tax paid in full.

(Md. Mofazzul Alam)
 Joint Secretary
 Assistant Commissioner of Taxes
 Taxes Circle-170, Taxes Zone-8, Dhaka
 Phone: 223335532

FORM II
 INSPECTING AUTHORITY'S CERTIFICATE OF INSPECTION DURING CONSTRUCTION.
 (Regulation 4-c)

Certificate No: 10-0-02
 Date: 28-09-2022

INSPECTING AUTHORITY: CHIEF INSPECTOR OF BOILERS, BANGLADESH

We hereby certify that the Horizontal Three Pass Fire Tube boiler, length 346 mm, diameter 139 mm, working pressure 19.54 kg/cm², Built by R.S. Enterprise at Dhaka, Bangladesh under shop Number: RSBHF/000902 was constructed under our supervision and inspected at various stages of construction by the Inspecting Officer and that the Construction and workmanship were satisfactory and in accordance with the Standard Conditions for the design and construction of land boilers under the Boiler Act, 1923. The boiler is stamped of the water shell plate with our stamp as hereunder:-

MAKER'S NAME: R.S. Enterprise.
 Works number: RSBHF/000902 Year of make: 2022
 Tended to: 19.28 kg/cm² Cr: 23-06-2022
 W.P.: 10.54 kg/cm²

The boiler on completion was subjected to a water pressure test of 19.3 kg/cm², in the presence of the inspecting officer on 23-06-2022 and satisfactorily withstood the test. Samples of the plates, tubes, and pipes used in the construction of the boiler were tested in the presence of the inspecting officer and were found to comply with the test prescribed in Chapter II and V of the Regulations relating to Standard Conditions for the design and construction of boilers under the Boiler Act, 1923.

We have satisfied ourselves that the Construction and dimensions of the boiler are as shown in the maker's drawing No RSBHF/000902, signed by us.

And that the particulars entered in the maker's certificate of manufacture in Form III contemplated by us, are correct to the best of our knowledge and belief.

Signature of Inspecting Officer: [Signature]
 Date: This _____ Day of _____, 2022.

Signature of Maker: [Signature]
 Date: _____ Day of _____, 2022.



R.S. ENTERPRISE. BOILER ENGINEERING.

📍 Dhaka Office :

House#7 (6th Floor),
Road#14/C, Sector#4,
Uttara, Dhaka-1230,
Bangladesh.

📍 Chittagong Office :

Imam Mansion (2nd Floor),
360 CDA Avenue, Dampara,
Chittagong, Bangladesh.

🏭 Factory (Unit-1) :

Jorpul, Shapla Housing,
Rajfulbaria, Savar,
Dhaka-1347, Bangladesh.

🏭 Factory (Unit-2) :

Fordnagar, Dhalla, Singair,
Manikganj, Dhaka,
Bangladesh.



📧 info@rsboilerbd.com

☎ +88 01873-001244